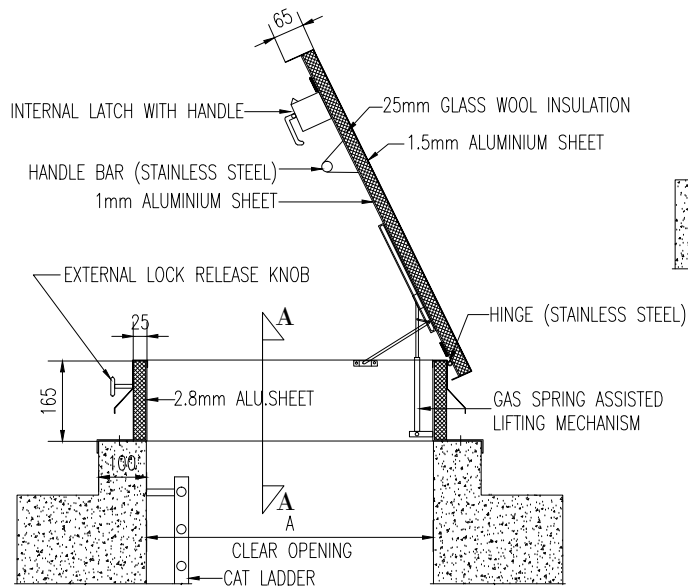


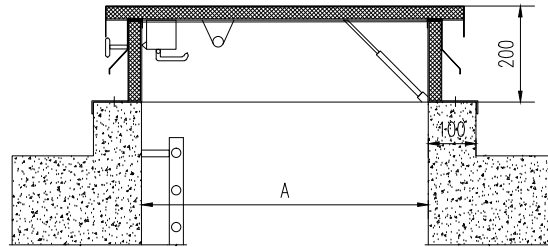
ROOF ACCESS HATCH

RANGE:- POLYGON

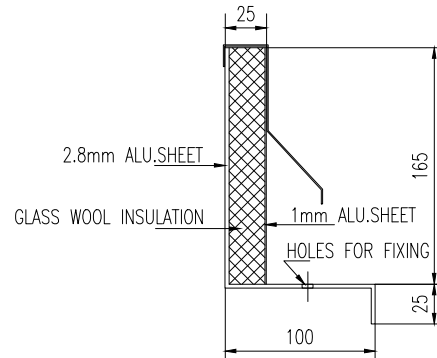
SERIES:-RAH



SECTION (OPEN CONDITION)



SECTION A-A (CLOSED CONDITION)



ENLARGED SECTION OF FRAME



SPECIFICATIONS

MATERIAL:- ALUMINIUM
 TYPE :- DOUBLE SKIN INSULATED
 INSULATION :- GLASS WOOL
 SEAL :- EPDM GASKET
 LIFTING :- GAS SPRING ASSISTED
 LOCKING :- MORTISE LATCH WITH HANDLE
 HINGES :- STAINLESS STEEL PINTLE TYPE, HEAVY DUTY
 HOLD OPEN :- STAINLESS STAY BAR WITH HANDLE
 EXTERNAL OPENING :- PUSH OPEN RELEASE KNOB
 FINISH :- POLYESTER POWDERCOATED

MODEL	CLEAR OPENING	STD. HEIGHT
RAH75AL	750 X 750 mm	200 mm
RAH99AL	900 X 900 mm	200 mm
RAH975AL	900 X 750 mm	200 mm
RAH1010AL	1000 X 1000 mm	200 mm

- AVAILABLE ALSO IN STAINLESS STEEL & GALVANIZED STEEL
- CUSTOMIZED SIZES ARE ALSO MANUFACTURED

AREA OF APPLICATION

SHOPPING MALLS, HYPER MARKETS, HOTELS, HOSPITALS, SCHOOLS, COLLEGES, INDOOR STADIUM, CONFERENCE HALLS, EXHIBITION HALLS, AUDITORIUMS, VILLAS, RESIDENTIAL & OFFICE COMPLEXES.



FEDORTECH FZC

P.O. BOX: 121115
 SHARJAH AIRPORT INTL. FREE ZONE
 SHARJAH, U.A.E.

TEL: +971 6 5578480 E-mail: info@fedortech.com

FAX: +971 6 5578481 Web: www.fedortech.com