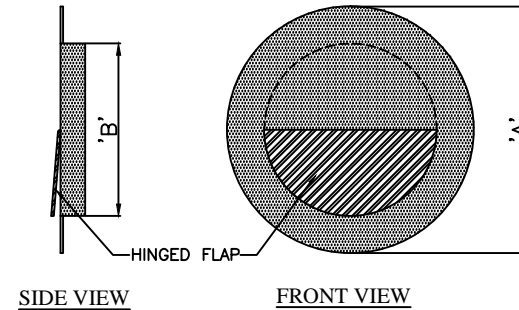
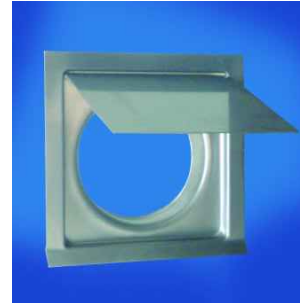
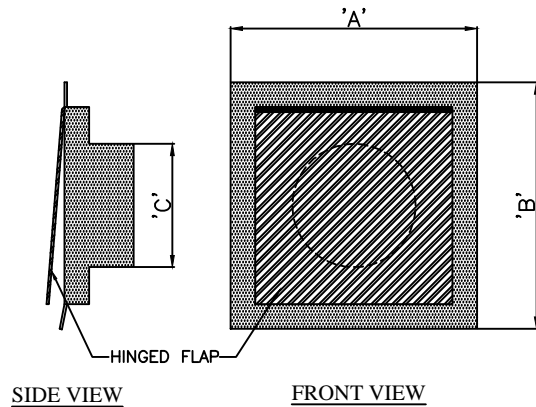


# STAINLESS STEEL RAIN WATER OUTLET FLAPPED COVERS

RANGE :- FREE FLOW  
SERIES :- V-DRAIN

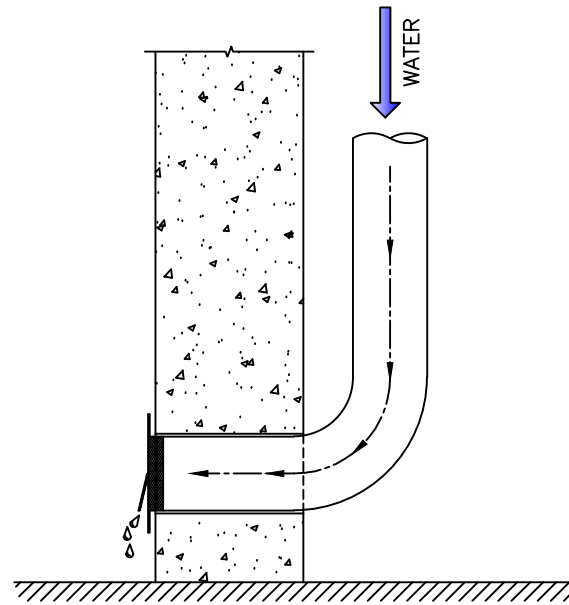


## SQUARE TYPE

MODEL	OUTER SIZE. A X B	SPIGOT SIZE C
ROF50	100 X 100	50 mm
ROF75	160 X 160	77 mm
ROF100	160 X 160	102 mm
ROF150	200 X 200	150 mm
ROF200	250 X 250	200 mm

### SPECIFICATIONS:-

- \* MATERIAL - STAINLESS STEEL
- \* GRADE - 304 (316-OPTIONAL)
- \* FINISH - BRUSH / MIRROR



### APPLICATION

## CIRCULAR TYPE

MODEL	OUTER DIA. A	SPIGOT SIZE B
ROF50C	80 mm	50 mm
ROF75C	105 mm	75 mm
ROF100C	130 mm	100 mm
ROF150C	180 mm	150 mm
ROF200C	230 mm	200 mm

### NOTE:-

- \* SPIGOT CAN BE MADE TO FIT INSIDE OR OUTSIDE THE PIPE
- \* REMOVABLE PERFORATED GRATE CAN BE PROVIDED



**FEDORTECH FZC**

P.O.BOX : 121115  
SHARJAH AIRPORT INTL. FREE ZONE.  
SHARJAH , U.A.E.

TEL: +971 6 5578480 E-mail : info@fedortech.com

FAX: +971 6 5578481 Web : www.fedortech.com