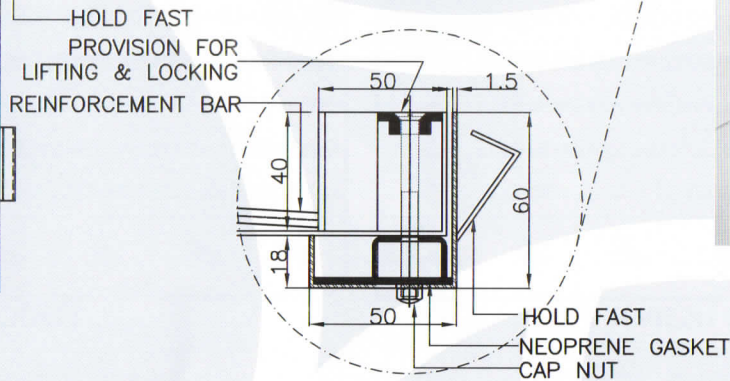
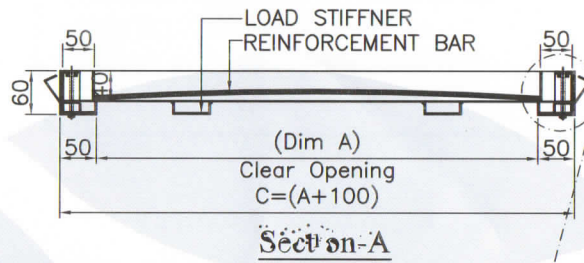
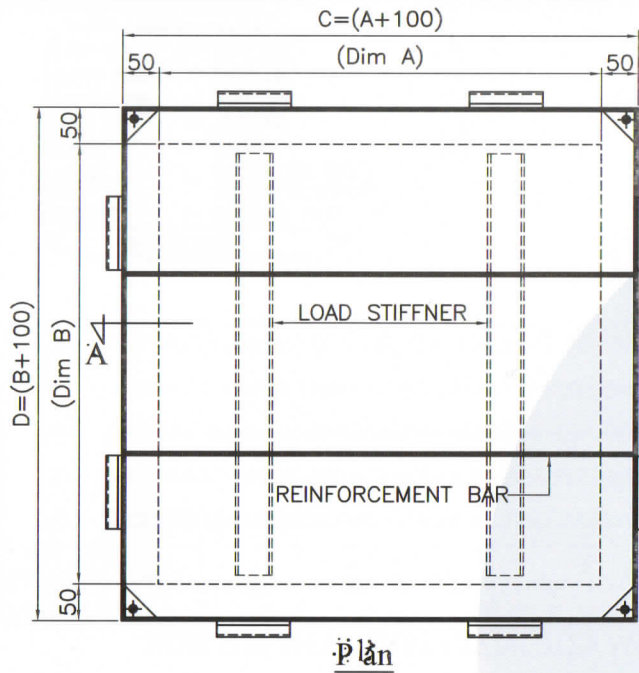


STAINLESS STEEL RECESSED MANHOLE COVER : LOCKABLE & WATER TIGHT

RANGE :-GRECO

SERIES :-ALPHA



MODEL	CLEAR OPENING A x B mm	OUTER SIZE C x D mm	LOADING (FACTA)
ALP15AA	300 X 300	400 X 400	CLASS A
ALP15BB	450 X 450	550 X 550	CLASS A
ALP15CC	600 X 600	700 X 700	CLASS A
ALP15DD	750 X 750	850 X 850	CLASS A
ALP15EE	900 X 900	1000 X 1000	CLASS A
ALP15EC	900 X 600	1000 X 700	CLASS A

MODEL	CLEAR OPENING A x B mm	OUTER SIZE C x D mm	LOADING (FACTA)
ALP33AA	300 X 300	400 X 400	CLASS AA
ALP33BB	450 X 450	550 X 550	CLASS AA
ALP33CC	600 X 600	700 X 700	CLASS AA
ALP33DD	750 X 750	850 X 850	CLASS AA
ALP33EE	900 X 900	1000 X 1000	CLASS AA
ALP33EC	900 X 600	1000 X 700	CLASS AA

SPECIFICATIONS

- MATERIAL :- STAINLESS STEEL
- GRADE :- AISI 304 (STANDARD)
 :- AISI 316 (OPTIONAL)
- RECESS DEPTH :- 40mm
- SEAL :- DOUBLE WITH EPDM GASKET
- LOCKING :- WITH FOUR CORNER SCREWS

**** CUSTOMISED SIZES ARE **
ALSO MANUFACTURED**

AREA OF APPLICATIONS

- SHOPPING MALLS, HYPER MARKETS, HOTELS
- HOSPITALS, SCHOOLS, COLLEGES, INDOOR STADIUMS
- CONFERENCE HALLS, EXHIBITION HALLS, AUDITORIUMS
- FOOD PROCESSING PLANTS, INDUSTRIAL KITCHENS
- VILLAS, RESIDENTIAL & OFFICE COMPLEXES