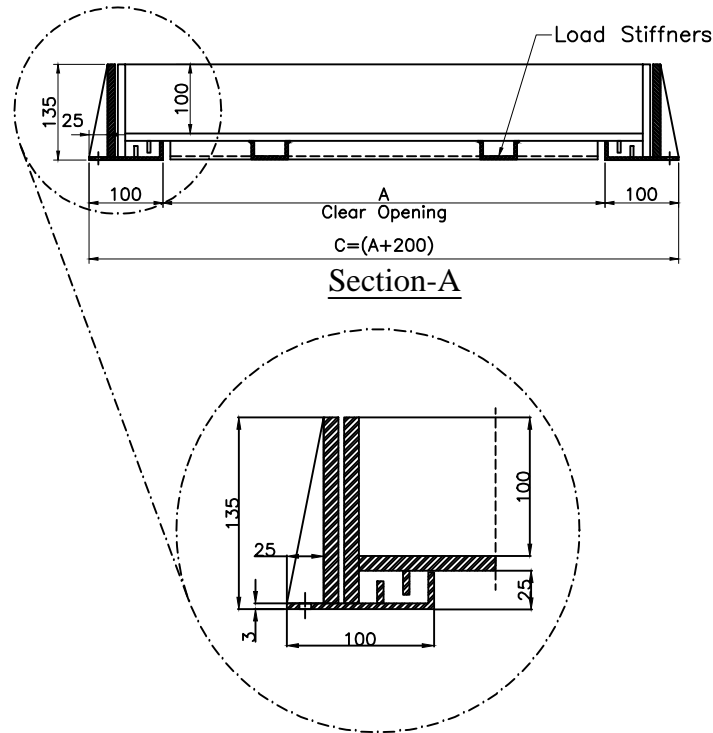
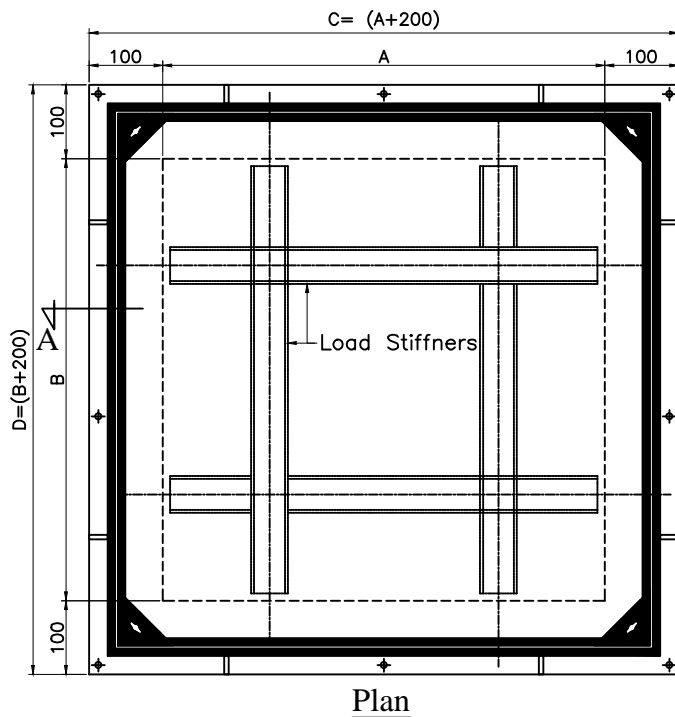


# STAINLESS STEEL RECESSED MANHOLE COVER : PAVER TYPE

RANGE :- GRECO  
SERIES :- BETA



MODEL	CLEAR OPENING A x B mm	OVER BASE SIZE C x D mm	LOADING (FACTA)
BET44 AA	300 X 300	500 X 500	CLASS B
BET44 BB	450 X 450	650 X 650	CLASS B
BET44 CC	600 X 600	800 X 800	CLASS B
BET44 DD	750 X 750	950 X 950	CLASS B
BET44 EE	900 X 900	1100 X 1100	CLASS B
BET44 EC	900 X 600	1100 X 800	CLASS B

MODEL	CLEAR OPENING A x B mm	OVER BASE SIZE C x D mm	LOADING (FACTA)
BET66 AA	300 X 300	500 X 500	CLASS C
BET66 BB	450 X 450	650 X 650	CLASS C
BET66 CC	600 X 600	800 X 800	CLASS C
BET66 DD	750 X 750	950 X 950	CLASS C
BET66 EE	900 X 900	1100 X 1100	CLASS C
BET66 EC	900 X 600	1100 X 800	CLASS C

MODEL	CLEAR OPENING A x B mm	OVER BASE SIZE C x D mm	LOADING (FACTA)
BET10 AA	300 X 300	500 X 500	CLASS D
BET10 BB	450 X 450	650 X 650	CLASS D
BET10 CC	600 X 600	800 X 800	CLASS D
BET10 DD	750 X 750	950 X 950	CLASS D
BET10 EE	900 X 900	1100 X 1100	CLASS D
BET10 EC	900 X 600	1100 X 800	CLASS D

## SPECIFICATIONS

MATERIAL :- STAINLESS STEEL  
 GRADE :- AISI 304 (STANDARD)  
 AISI 316 (OPTIONAL) \*  
 RECESS DEPTH :- 100mm STANDARD  
 SEAL :- DOUBLE  
 LIFTING :- FOUR CORNER TRIANGLE POINTS

- CUSTOMIZED SIZES ARE ALSO MANUFACTURED.
- AVAILABLE ALSO IN MILD STEEL & ALUMINIUM.
- UTILITY IDENTIFICATION PROVIDED.
- SEALING PLATE PROVISION PROVIDED.

## AREA OF APPLICATIONS

SHOPPING MALLS, HYPER MARKETS, HOTELS  
 HOSPITALS, SCHOOLS, COLLEGES, INDOOR STADIUMS  
 CONFERENCE HALLS, EXHIBITION HALLS, AUDITORIUMS  
 LANDSCAPING AREAS, WALKWAYS  
 VILLAS, RESIDENTIAL & OFFICE COMPLEXES



**FEDORTECH FZC**

P.O.BOX : 121115  
 SHARJAH AIRPORT INTL. FREE ZONE.  
 SHARJAH , U.A.E.

TEL: +971 6 5578480 E-mail : info@fedortech.com  
 FAX: +971 6 5578481 Web : www.fedortech.com